

SPECIFICATION SHEET

COLLECTION: KOVERA

PRODUCT CODE: KOV-145A-C/P



DESCRIPTION:

Kovera
concealed 1 outlet shower valve
single lever
wall mounted
with oval backplate
ceramic cartridge CAR-K35A
2 x 1/2" female inlets
2 x 1/2" female outlets (one is blanked off)
min-max wall mount 40-65mm
minimum operating pressure
0.2 bar LP (shower) 1.5 bar MP (bath)

FINISH:

Chrome

MINIMUM OPERATING PRESSURE:

0.2 bar LP (shower) 1.5 bar MP (bath)



tel: 01934 744466
email: sales@vado.com
www.vado.com

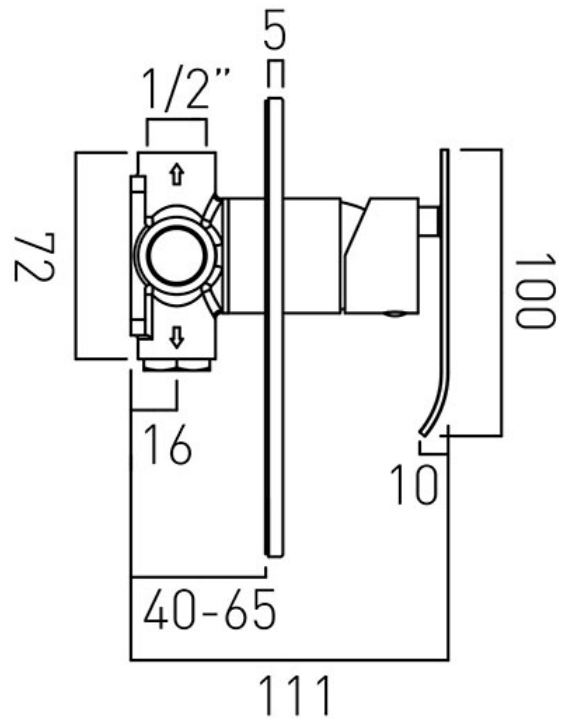
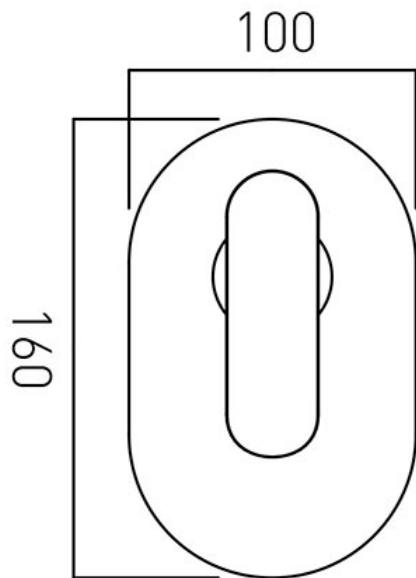
where inspiration flows
taps | showering | accessories



TECHNICAL DRAWING

COLLECTION: KOVERA

PRODUCT CODE: KOV-145A-C/P



tel: 01934 744466
email: sales@vado.com
www.vado.com

where inspiration flows
taps | showering | accessories

