

# SPECIFICATION SHEET

**COLLECTION:** KOVERA

**PRODUCT CODE:** KOV-137-C/P



**DESCRIPTION:**

2 hole bath filler  
deck mounted  
with water flow straightener  
cold ceramic cartridge C-302-RTC  
hot ceramic cartridge C-302-LTC  
2 x 3/4" fitted tails  
deck mount drill hole diameter 2 x 28-30mm  
minimum operating pressure 0.2 bar LP

**FINISH:**

Chrome

**MINIMUM OPERATING PRESSURE:**

0.2 bar LP



tel: 01934 744466  
email: sales@vado.com  
www.vado.com

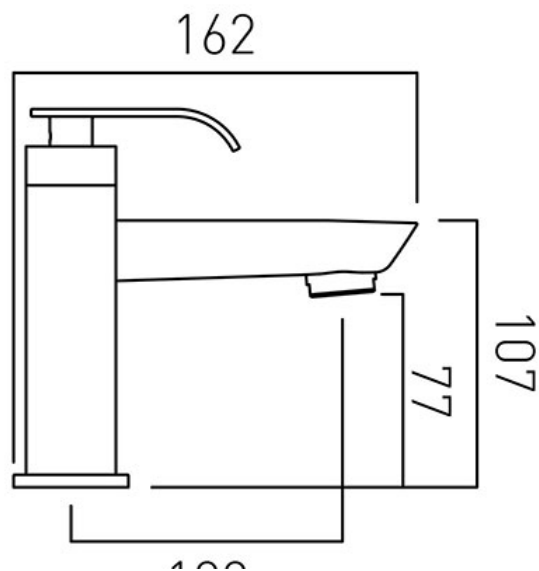
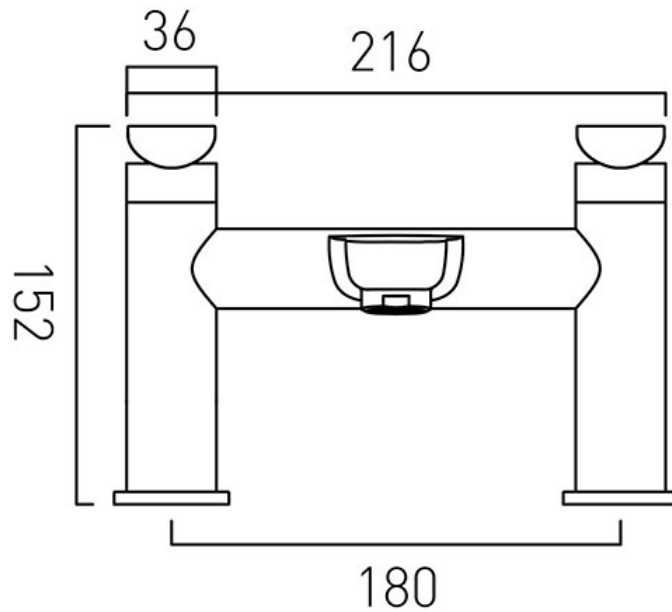
**where inspiration flows**  
taps | showering | accessories



# TECHNICAL DRAWING

**COLLECTION:** KOVERA

**PRODUCT CODE:** KOV-137-C/P



tel: 01934 744466  
email: sales@vado.com  
www.vado.com

**where inspiration flows**  
taps | showering | accessories

