

SPECIFICATION SHEET

COLLECTION: KENSINGTON

PRODUCT CODE: KEN-233/CD+K-C/P



DESCRIPTION:

exposed bath shower mixer
floor mounted
with shower kit
cold ceramic cartridge C-201-RTC
hot ceramic cartridge C-201-LTC
34 x 50mm threaded connections on legs
minimum operating pressure 0.2 bar LP

FINISH:

Chrome

FLOW REGULATOR:

#N/A

MINIMUM OPERATING PRESSURE:

0.2 bar LP



tel: 01934 744466
email: sales@vado.com
www.vado.com

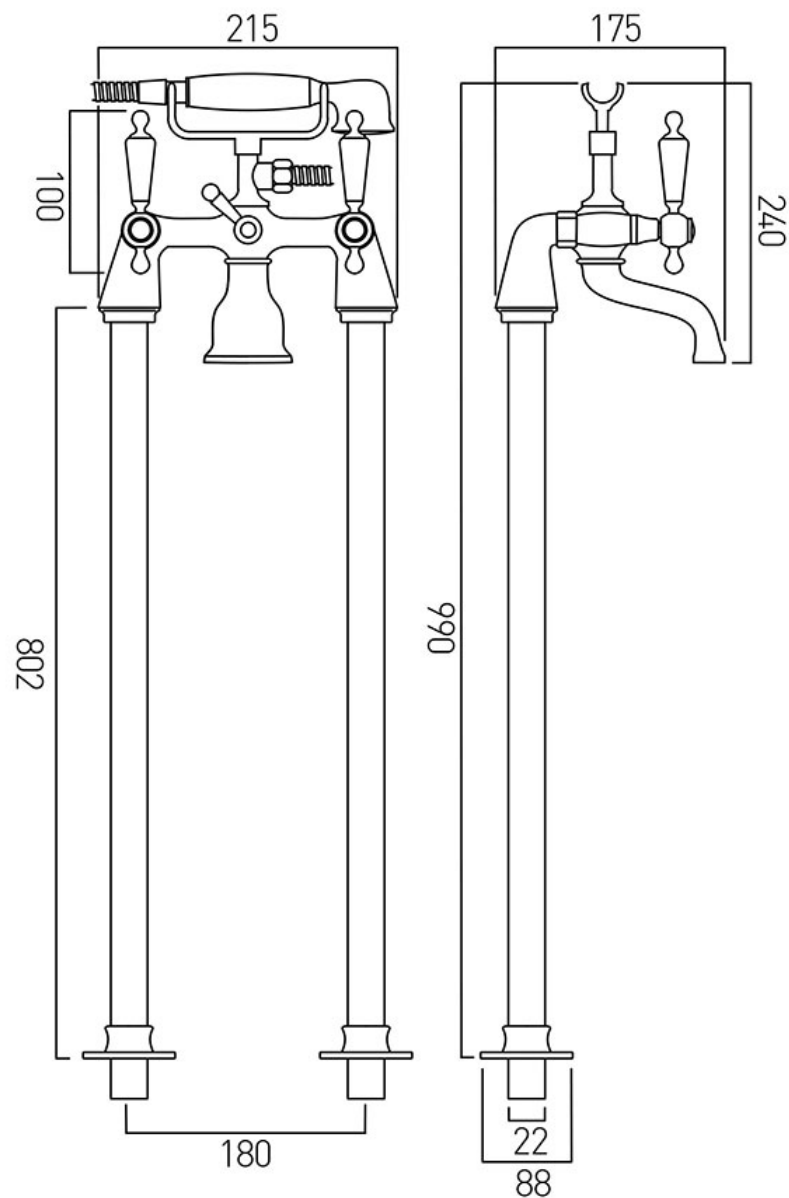
where inspiration flows
taps | showering | accessories



TECHNICAL DRAWING

COLLECTION: KENSINGTON

PRODUCT CODE: KEN-233/CD+K-C/P



tel: 01934 744466
email: sales@vado.com
www.vado.com

where inspiration flows
taps | showering | accessories

