

---

# SPECIFICATION SHEET

**COLLECTION:** INFINITY

**PRODUCT CODE:** INF-186-C/P



**DESCRIPTION:**  
double swivel robe hook  
wall mounted

**FINISH:**  
Chrome  
**FLOW REGULATOR:**  
N



tel: 01934 744466  
email: sales@vado.com  
www.vado.com

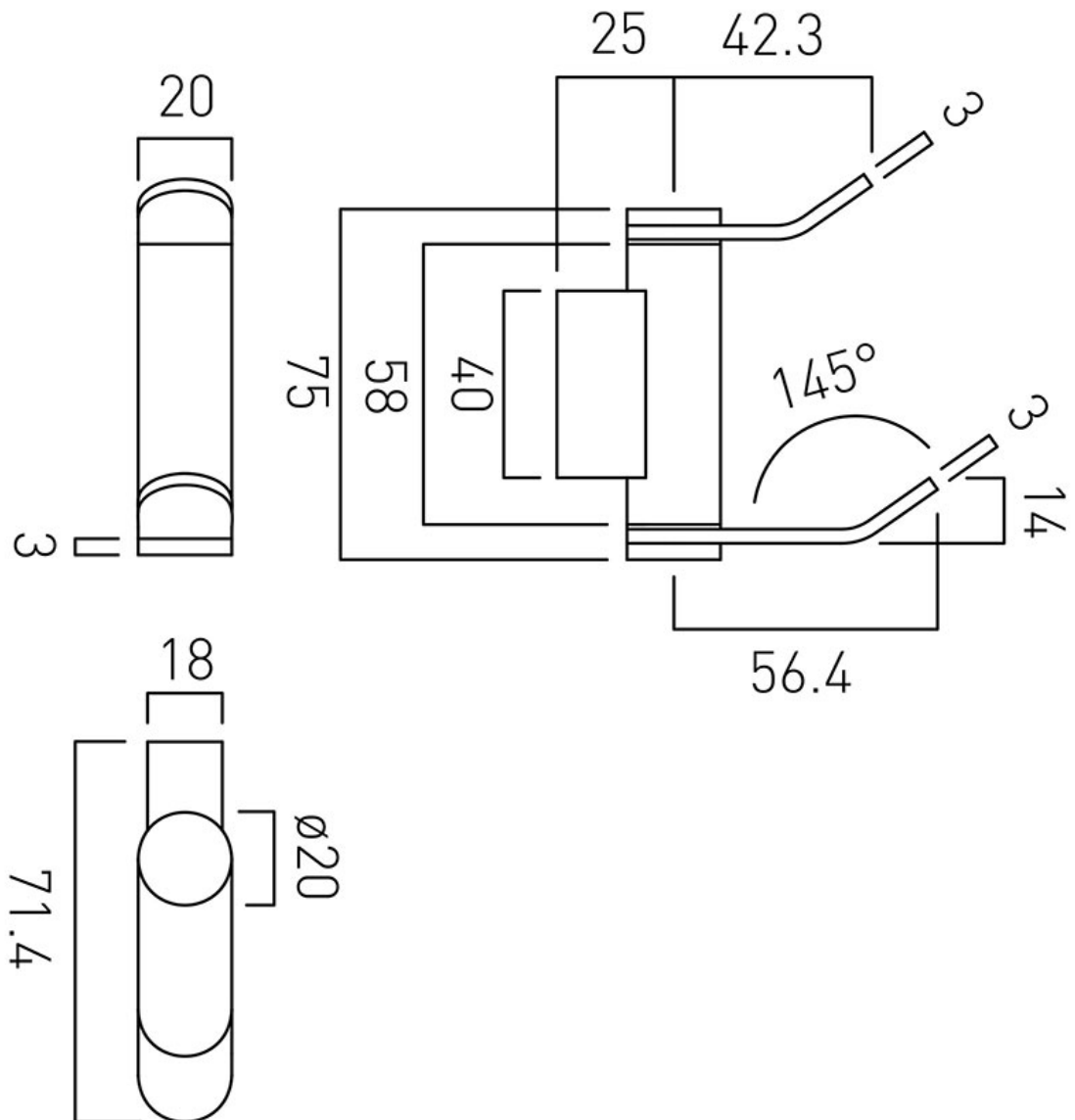
**where inspiration flows**  
taps | showering | accessories



# TECHNICAL DRAWING

COLLECTION: INFINITY

PRODUCT CODE: INF-186-C/P



tel: 01934 744466  
email: sales@vado.com  
www.vado.com

**where inspiration flows**  
taps | showering | accessories

