

---

# SPECIFICATION SHEET

**COLLECTION:** INFINITY

**PRODUCT CODE:** INF-184-45-C/P



**DESCRIPTION:**

towel rail  
wall mounted  
450mm (18")

**FINISH:**

Chrome

**FLOW REGULATOR:**

N



tel: 01934 744466  
email: [sales@vado.com](mailto:sales@vado.com)  
[www.vado.com](http://www.vado.com)

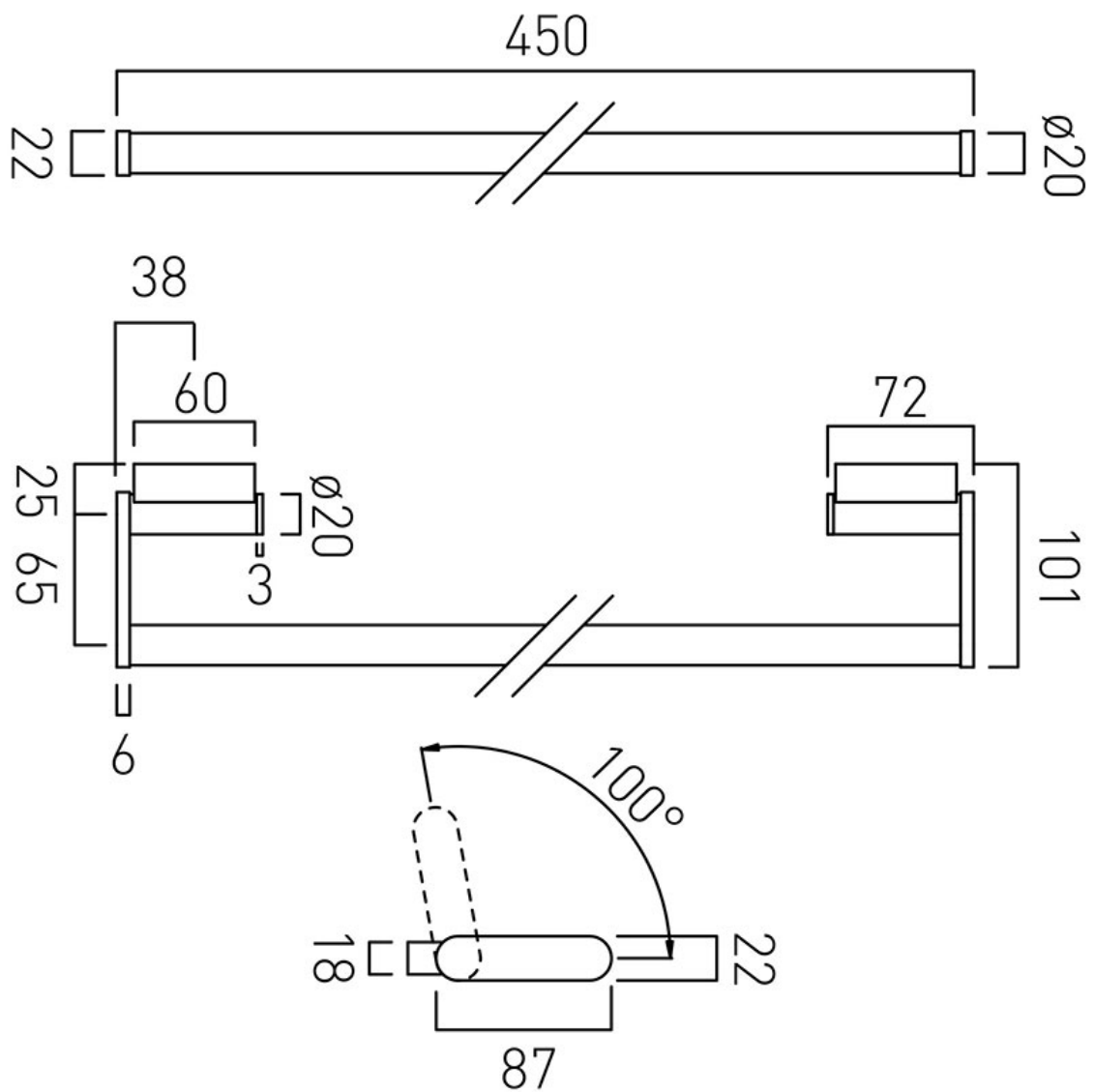
**where inspiration flows**  
taps | showering | accessories



# TECHNICAL DRAWING

COLLECTION: INFINITY

PRODUCT CODE: INF-184-45-C/P



tel: 01934 744466  
email: sales@vado.com  
www.vado.com

**where inspiration flows**  
taps | showering | accessories

