
SPECIFICATION SHEET

COLLECTION: INFINITY

PRODUCT CODE: INF-180-C/P



DESCRIPTION:

paper holder
wall mounted

FINISH:

Chrome

FLOW REGULATOR:

N



tel: 01934 744466
email: sales@vado.com
www.vado.com

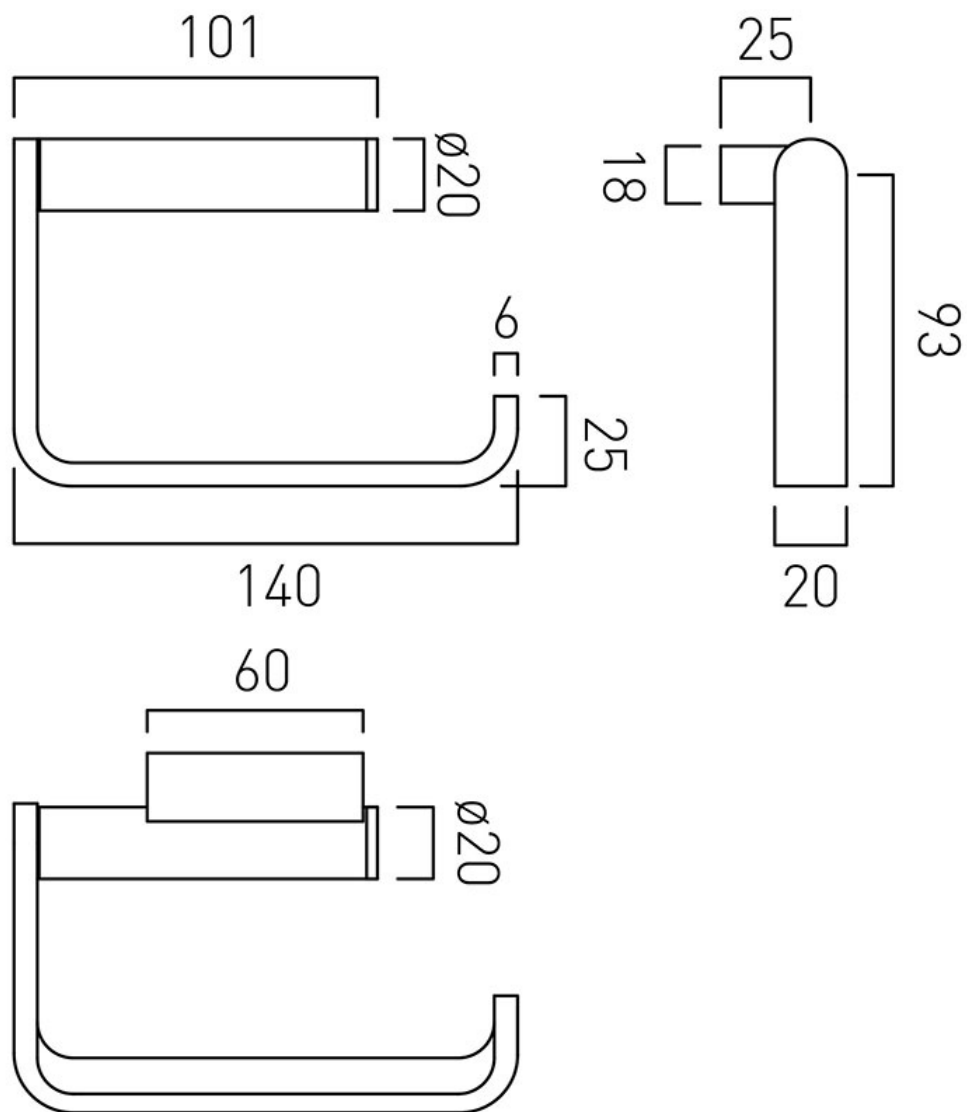
where inspiration flows
taps | showering | accessories



TECHNICAL DRAWING

COLLECTION: INFINITY

PRODUCT CODE: INF-180-C/P



tel: 01934 744466
email: sales@vado.com
www.vado.com

where inspiration flows
taps | showering | accessories

