

# SPECIFICATION SHEET

**COLLECTION:** GEO

**PRODUCT CODE:** GEO-135-3/4-C/P



## DESCRIPTION:

5 hole bath shower mixer  
deck mounted  
spout can swivel or be fixed  
with water flow straightener  
3/4" ceramic disc 1/4 turn valves  
cold ceramic cartridge C-302-RTC  
hot ceramic cartridge C-302-LTC  
1 x 1/2" x 3/8" x 200cm showerhose FxF  
3 x 3/4" x 3/4" x 600mm flexipipe connections  
spout deck mount drill hole diameter 28-30mm  
valve deck mount drill hole diameter 37mm  
diverter deck mount drill hole diameter 46mm  
handset deck mount drill hole diameter 30mm  
min-max bath thickness 6-38mm  
minimum operating pressure 1.5 bar MP

## FINISH:

Chrome

## FLOW REGULATOR:

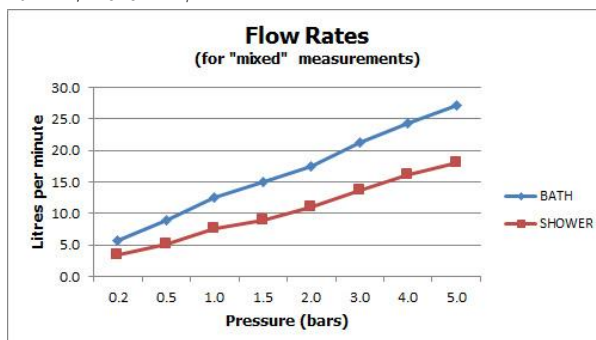
FR-SHOWER/9-C/P

## MINIMUM OPERATING PRESSURE:

1.5 bar MP

## FLOW RATE AT 3.0 BAR FLOW PRESSURE:

Bath: 21, Shower: 14 l/min



tel: 01934 744466  
email: sales@vado.com  
www.vado.com

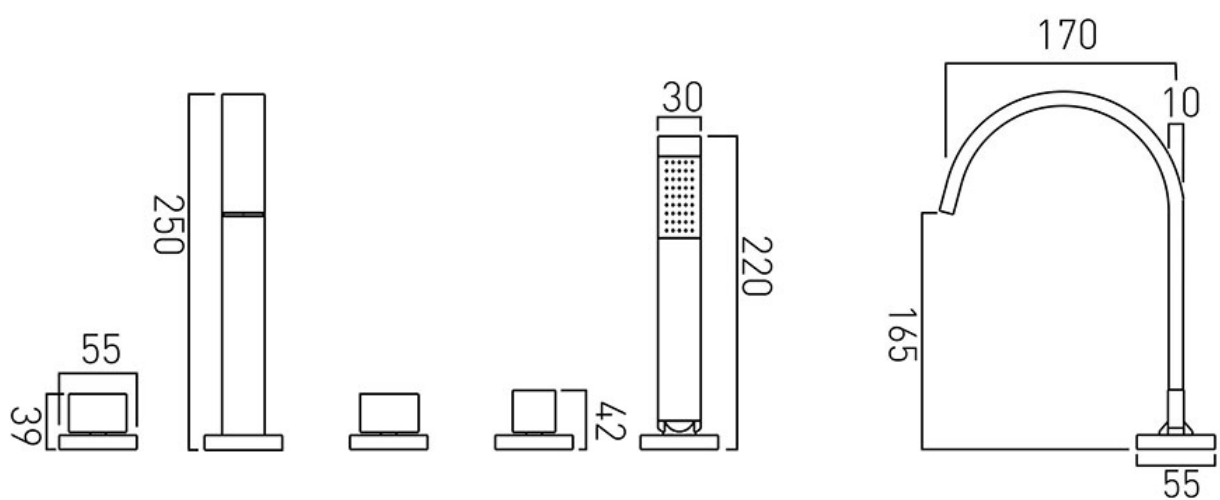
where inspiration flows  
taps | showering | accessories



# TECHNICAL DRAWING

**COLLECTION:** GEO

**PRODUCT CODE:** GEO-135-3/4-C/P



tel: 01934 744466  
email: sales@vado.com  
www.vado.com

**where inspiration flows**  
taps | showering | accessories

