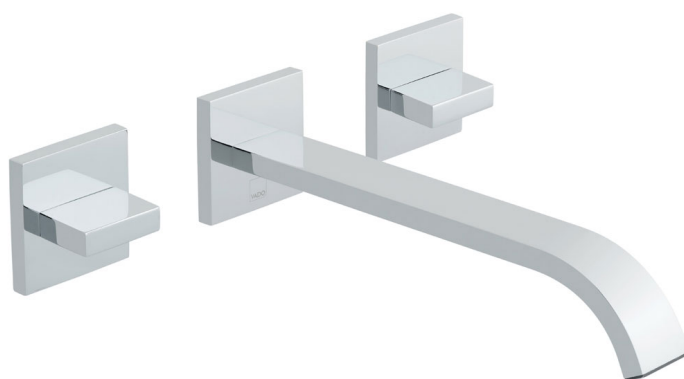


SPECIFICATION SHEET

COLLECTION: GEO

PRODUCT CODE: GEO-109/220-C/P



DESCRIPTION:

3 hole basin mixer with 220mm spout
wall mounted

with water flow straightener

cold ceramic cartridge C-503-LTC

hot ceramic cartridge C-503-RTC

two part cartridges ensure perfect alignment of handle
and shroud

2 x 1/2" male x 1/2" male x 90mm straight connections
and 1 x 1/2" x 1/2" x 1/2" x 47mm female connection (T-
piece)

min-max wall mount 59-68mm

minimum operating pressure 0.2 bar LP

FINISH:

Chrome

FLOW REGULATOR:

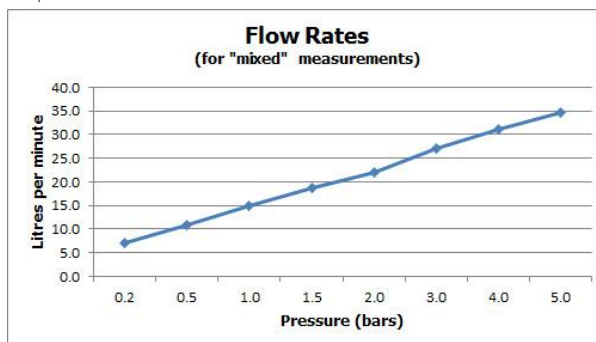
FR-106/4-PLA

MINIMUM OPERATING PRESSURE:

0.2 bar LP

FLOW RATE AT 3.0 BAR FLOW PRESSURE:

27 l/min



tel: 01934 744466

email: sales@vado.com

www.vado.com

where inspiration flows

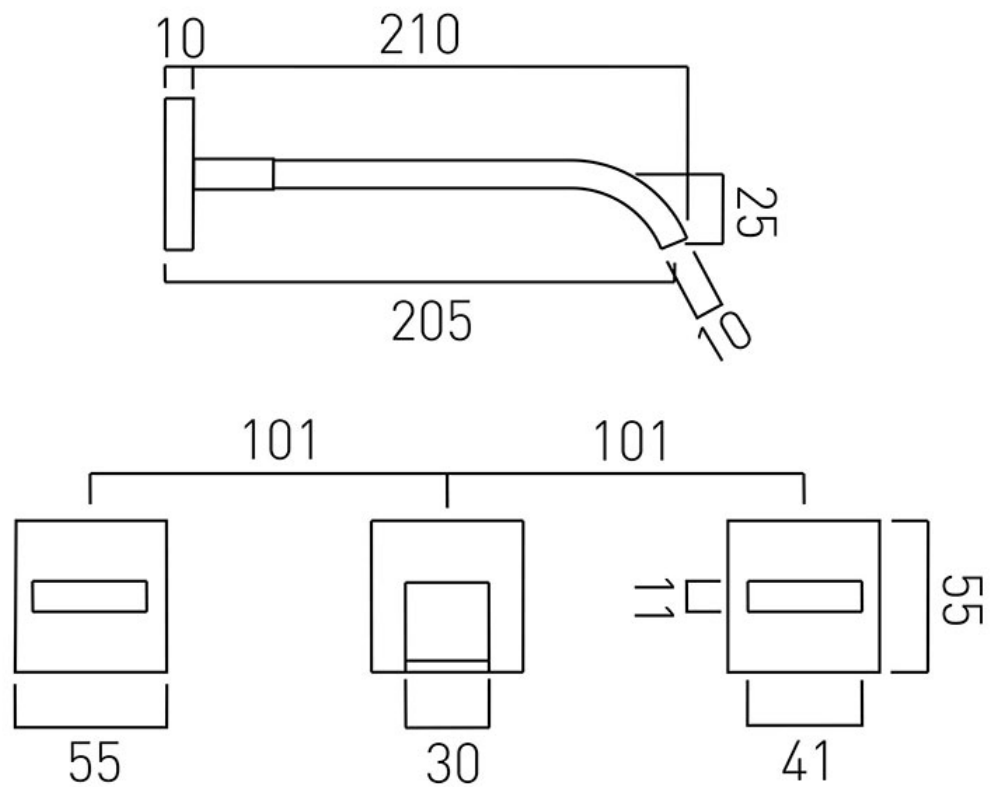
taps | showering | accessories



TECHNICAL DRAWING

COLLECTION: GEO

PRODUCT CODE: GEO-109/220-C/P



tel: 01934 744466
email: sales@vado.com
www.vado.com

where inspiration flows
taps | showering | accessories

