

# SPECIFICATION SHEET

**COLLECTION:** ELEMENTS

**PRODUCT CODE:** ELA-150S-C/P



## DESCRIPTION:

Elements Air  
mono kitchen mixer  
single lever  
deck mounted  
with swivel spout  
with water flow aerator  
ceramic cartridge CAR-K35B  
2 x 1/2" nut x 400mm flexipipe connections  
deck mount drill hole diameter 32mm  
minimum operating pressure 1.0 bar MP

## FINISH:

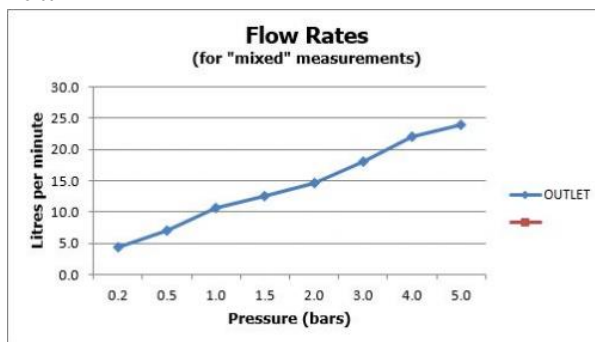
Chrome

## FLOW REGULATOR:

FR-100/5-PLA

## MINIMUM OPERATING PRESSURE:

1.0 bar MP



15  
year guarantee

tel: 01934 744466  
email: sales@vado.com  
www.vado.com

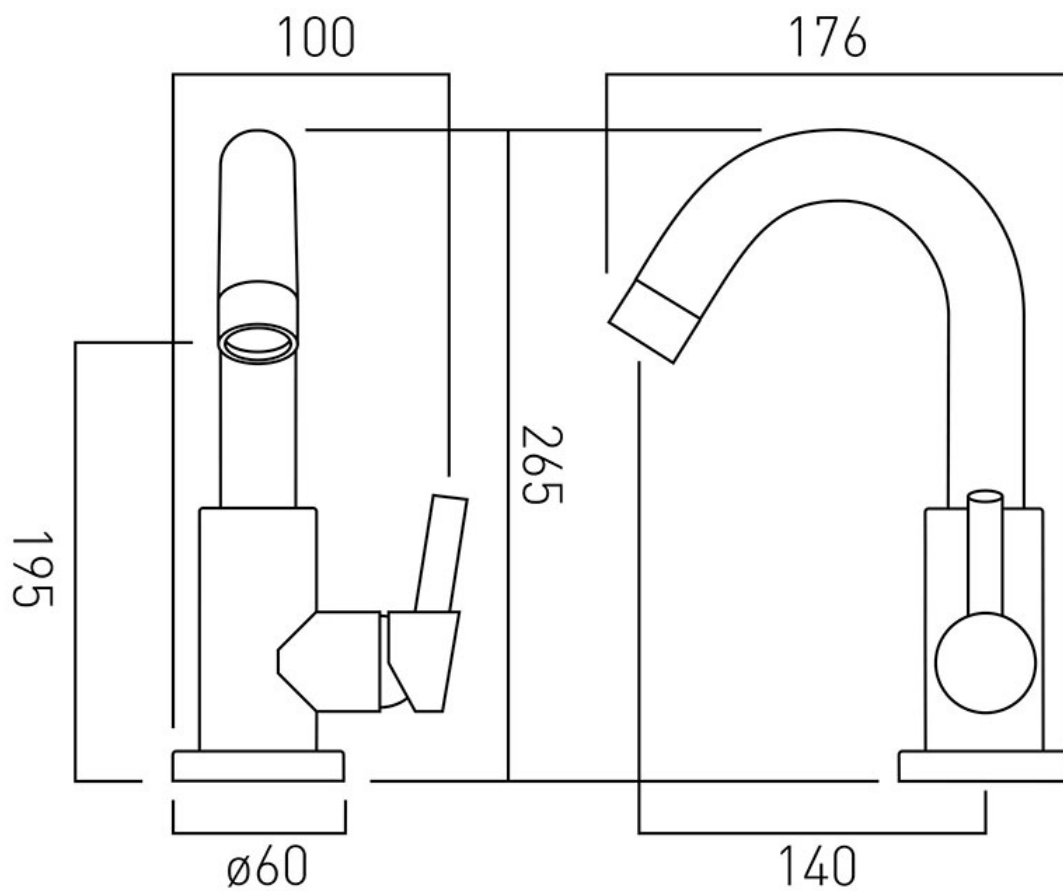
**where inspiration flows**  
taps | showering | accessories



# TECHNICAL DRAWING

**COLLECTION:** ELEMENTS

**PRODUCT CODE:** ELA-150S-C/P



tel: 01934 744466  
email: sales@vado.com  
www.vado.com

**where inspiration flows**  
taps | showering | accessories

