

# SPECIFICATION SHEET

**COLLECTION:** BASKETS

**PRODUCT CODE:** BAS-2003-C/P



**DESCRIPTION:**

large rectangular double basket  
wall mounted

**FINISH:**

Chrome



tel: 01934 744466  
email: sales@vado.com  
www.vado.com

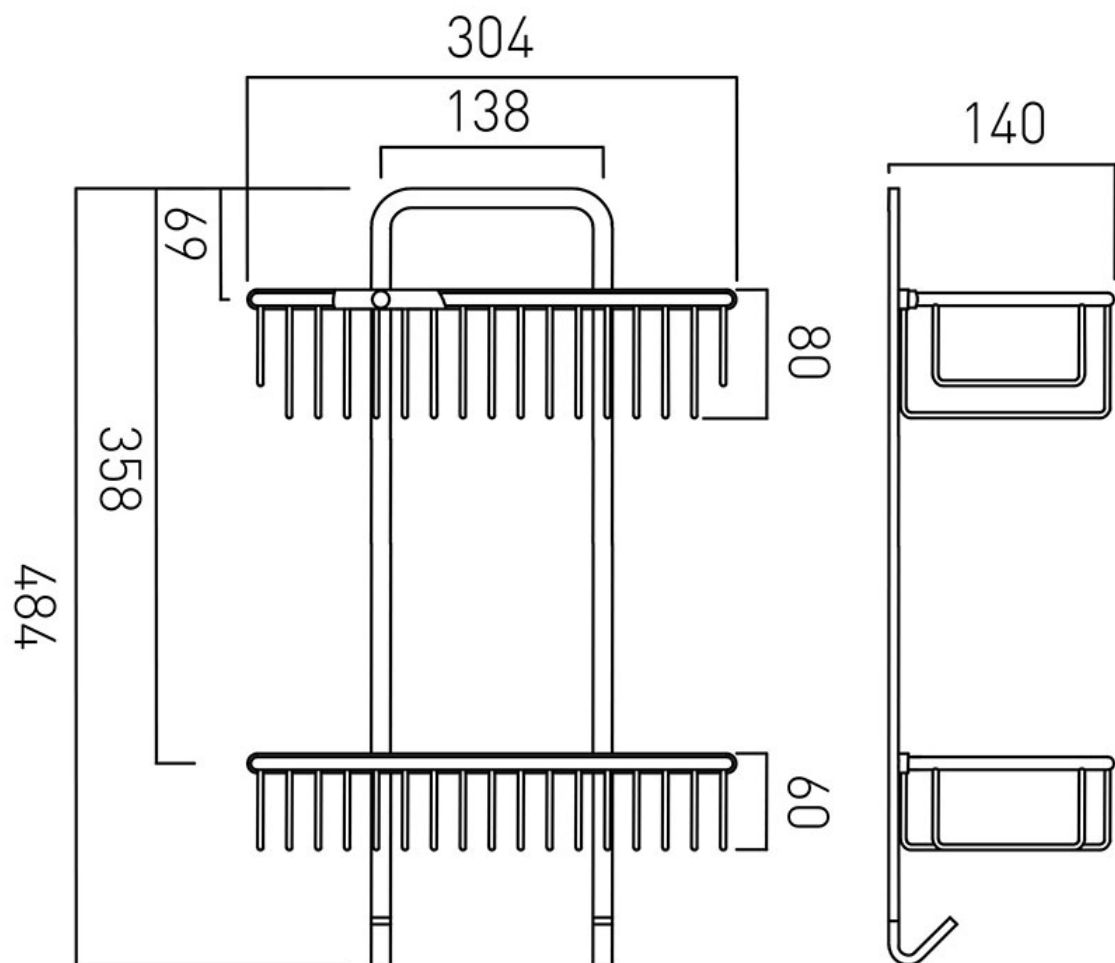
**where inspiration flows**  
taps | showering | accessories



# TECHNICAL DRAWING

**COLLECTION:** BASKETS

**PRODUCT CODE:** BAS-2003-C/P



tel: 01934 744466  
email: sales@vado.com  
www.vado.com

**where inspiration flows**  
taps | showering | accessories

