

SPECIFICATION SHEET

COLLECTION: ALTITUDE

PRODUCT CODE: ALT-100/SB-C/P



DESCRIPTION:

progressive mono basin mixer
deck mounted
with directional aerator
smooth bodied
without universal basin waste
progressive cartridge FL-901-29H
2 x 1/2" nut x 400mm flexipipe connection
deck mount drill hole diameter 35mm
minimum operating pressure 0.2 bar LP

FINISH:

Chrome

FLOW REGULATOR:

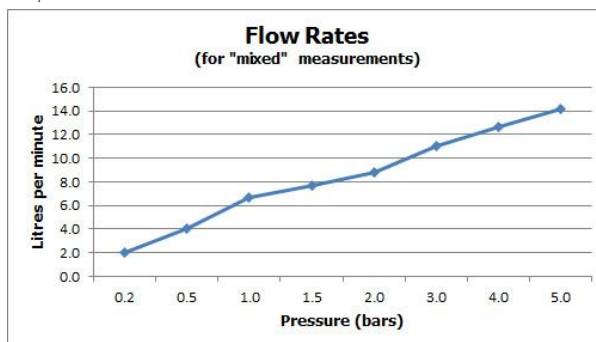
FR-100/5-B-PLA

MINIMUM OPERATING PRESSURE:

0.2 bar LP

FLOW RATE AT 3.0 BAR FLOW PRESSURE:

11 l/min



tel: 01934 744466
email: sales@vado.com
www.vado.com

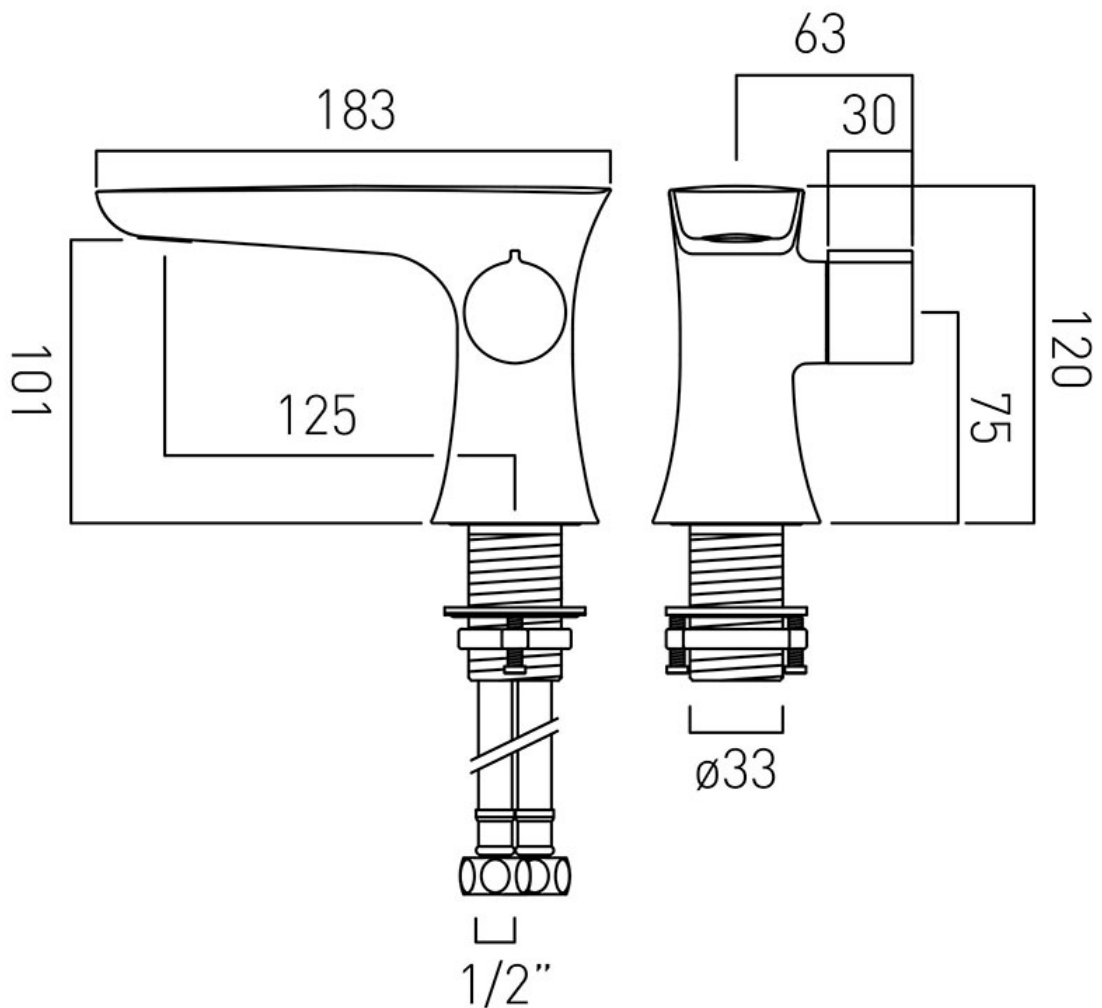
where inspiration flows
taps | showering | accessories



TECHNICAL DRAWING

COLLECTION: ALTITUDE

PRODUCT CODE: ALT-100/SB-C/P



tel: 01934 744466
email: sales@vado.com
www.vado.com

where inspiration flows
taps | showering | accessories

