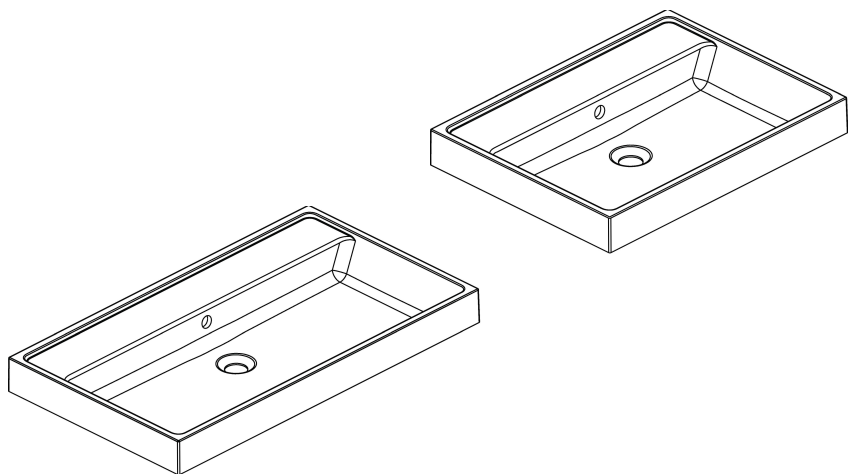




where inspiration flows

This instruction booklet covers these models:

GRV-BM6, GRV-BM8  
(All finish options)



## GROOVE MINERAL BASIN INFORMATION AND CLEANING GUIDELINES

Thank you for choosing VADO.

Please carefully review and retain these guidelines for future reference.

When using an external overflow kit, to aid fitting, submerge both ends of the flexible pipe in hot water before fitting to the overflow hole and basin waste.

The surface of these products is finished to the highest standard. Due care needs to be taken to ensure the appearance is retained.

The water temperature in contact with the basin should not exceed 70°C.

Refrain from using cleaning products containing natural or artificial dyes. If uncertain, conduct a patch test in an inconspicuous area before full application.

Do **NOT** use bleach or microfibre cloths on these products.

### RECOMMENDATIONS FOR MATT FINISH MattWhite

- For regular cleaning, use mild dish soap and water.
- After each use the inner surface must be rinsed with water and cleaned with a soft cotton cloth.
- For stubborn marks (grease, mildew, oil, paint, or ink stains), apply a mild abrasive cleaner via the rough side of a kitchen sponge. It may take a little scrubbing to remove marks. Cleaning products must be rinsed off with water after use.
- To maintain the aesthetics of a product it is recommended to use a thin coating of baby oil with a soft cotton cloth once per month.
- Limescale can be treated with a solution of water and vinegar.
- Small scratches on the surface may be treated with abrasive paper soaked in water. First, try a 1500-grit paper, then if needed try a 3000-grit paper.

VADO

Wedmore Road, Cheddar, Somerset, England BS27 3EB

Tel 01934744466

[aftersales@vado.com](mailto:aftersales@vado.com)

[www.vado.com](http://www.vado.com)

## RECOMMENDATIONS FOR GLOSS WHITE

- For regular cleaning, use mild dish soap and water.
- After each use the inner surface must be rinsed with water and cleaned with a soft cotton cloth.
- To maintain the product's aesthetic, we recommend applying natural polishing wax, for example, based on beeswax, once per month.
- For stubborn marks (grease, mildew, oil, paint or ink stains) must be treated with warm water and gentle cleaning agents via the soft side of a kitchen sponge. Cleaning products must be rinsed off with water after use.
- Never use any abrasive cleaners. If a cleaning product feels gritty when rubbed between your fingers, then it is not safe for your gloss product.
- Limescale may be treated with a solution of water and vinegar.
- Small scratches on the surface may be treated with abrasive paper soaked in water. First, try a 1500-grit paper, then if needed try a 3000-grit paper. The surface will need to be polished with a fine-grained polishing paste (for painted surface)

When registering the guarantee for this Basin or Worktop, please include the article number from the top of the product sticker in the 'product description' field during the product registration process.

This VADO Mineral Basin comes with a 2 year guarantee as standard. Within this guarantee period, VADO will provide replacement parts only.

This standard guarantee may be extended by registering your product on our website at: <https://www.vado.com/support/guarantee>. Once registered this Mineral Basin will have a 5 year guarantee.

### **Guarantee Conditions**

Our products are guaranteed against manufacturing defects from the date of purchase until the expiry of the relevant guarantee period shown above.

The guarantee is only valid if:

- The product has been installed, used and maintained in accordance with VADO's instructions and subjected to normal use only.
- The defect is not due to accident, misuse, neglect, or incorrect/inappropriate repair (other than by VADO or VADO authorised agents) or damage caused by foreign objects or substances.
- The extended guarantee is only available if you have completed the guarantee registration process. This can be done via the VADO website or via telephone to our Aftersales team. Registration must be completed within 6 months from the date of purchase. Under the extended guarantee period VADO will, at its option, offer to supply any replacement product (or component part) assessed to be defective [SEE NOTE 1].
- The guarantee (whether standard or extended) is non-transferable to any subsequent owner.
- Mould, Mildew build up, the effects of limescale and corrosion are not covered under this guarantee.
- This guarantee does not cover damage and/or malfunction caused by inappropriate cleaning (please refer to our recommended care guidelines).
- Damage to VADO furniture caused by standing water or inadequate room ventilation is not covered under this guarantee.

All claims under the guarantee should be notified in the first instance to our Aftersales department, contact details below, this must be done no later than the last day of the relevant guarantee period. All claims must be accompanied by proof of purchase (sales receipt or delivery note) from an official VADO dealer.

The guarantee does not extend to any consequential loss or damage.

After repair or replacement, the relevant guarantee period will be calculated from the original date of purchase.

VADO operates a policy of continuous product development and therefore reserves the right to change the product, packaging and documentation specifications without notice.

In situations where like-for-like replacements are not possible, VADO will endeavour to provide the closest alternative. E&OE.

### **NOTES:**

**[1]** VADO reserves the right to charge in advance for a product (or replacement part) pending collection and investigation (at VADO expense) to confirm a defect is due to a manufacturing issue. If a defect is found the charge will be refunded or cancelled.

This guarantee is in addition to and does not affect your statutory rights as a consumer.

Tel: 01934 745163 Email: [aftersales@vado.com](mailto:aftersales@vado.com)